



Part number

CAP 16 LS229



Brief description:

surface mounting housings with single lever, size "77.27", metal cover, Pg29 x 2, metal version, IP65

Product description		Approvals / Standards	
Version	metal version	Quality mark	 (type:4/4X/12),  , EAC
Series	surface mounting housings with single lever	Conformity	CQC, CE
Product type	with 1 lever	General ordering information	
Variant	metal cover	EAN13 code	8015747008167
Style	high construction	Tariff number	85369095
Family	CLASS enclosures	Packaging Information	
Size	size "77.27"	Packaging length	475,00 mm
Technical data		Packaging height	220,00 mm
Material	metal	Packaging width	175,00 mm
IP degree of protection	IP65	Packaging weight	4,15 kg
Cable entry	Pg29 x 2	Packaging volume	18,29 dm ³
Further technical details		Packaging description	Carton box
Weight	415,00 g	Packaging quantity	10 Pcs
		Packaging EAN code	8015747236713
		Sub-packaging weight	2,08 kg
		Sub-packaging description	Plastic pakaging
		Sub-packaging quantity	5 Pcs
		Sub-packaging EAN barcode	8015747236720

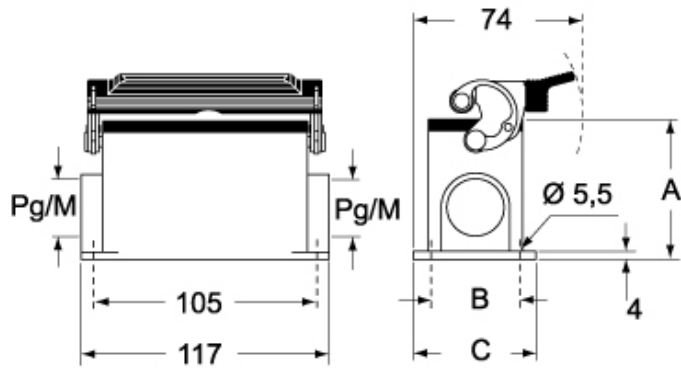
Part number

CAP 16 LS229

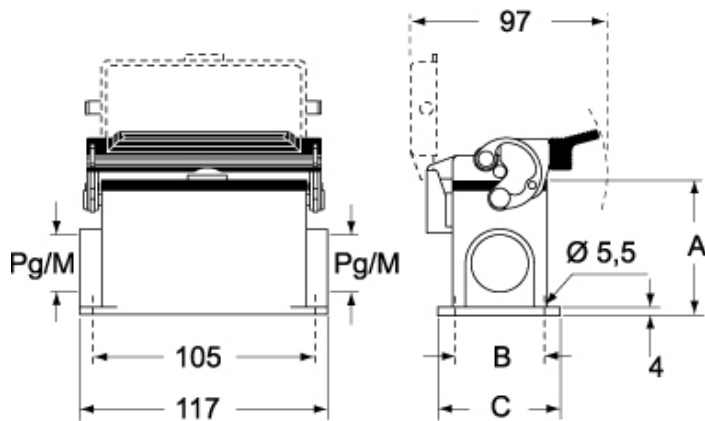


Catalogue drawings

CHP L CAP L - MHP L MAP L



CHP LS CAP LS - MHP LS MAP LS



	A
CHP L / MHP L	63
CAP L / MAP L	77
CHP LS / MHP LS	63
CAP LS / MAP LS	77